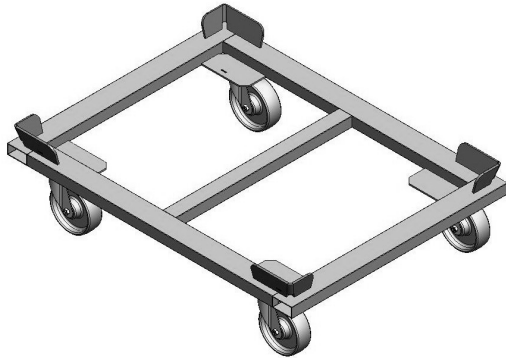


### TROLLEYS

### Trolleys BOR I

for heavy loads  
up to 1.000 kg



Item no. 134574

For indoor transport of a stack of boxes

Adapted to automation on request

Various wheel qualities (PP, rubber or PU-coated or ESD)

Designed for various boxes / containers (workpiece carriers, boxes, wire baskets or similar)

Various material available (steel, stainless steel, aluminium)

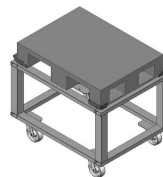
Optional products can be found in chapter ACCESSORIES



Item no. 135511



Item no. 135743



Item no. 136448

Item no.	Product to be carried	Size of trolley and load	Centering of product	Wheels	Wheel design
134574	Box 800 x 600 mm	865 x 655 mm 400 kg	Centering angle	Ø 125 mm	4 swivel castors
142290	Inclined box 800 x 600 mm	895 x 695 mm 500 kg	Inclined deposit Centering angle	Ø 100 mm	4 swivel castors
135511	Box 1.200 x 800 mm	1.265 x 855 mm 700 kg	Centering angle	Ø 125 mm	4 swivel castors
135743	Inclined box 1.200 x 800 mm	1.327 x 931 mm 700 kg	Inclined deposit Centering angle	Ø 150 mm	4 swivel castors
138267	Box 1.200 x 1.000 mm	1.265 x 1.010 mm 500 kg	Centering angle	Ø 150 mm	4 swivel castors
136448	Inclined box 1.200 x 1.000 mm	1.335 x 1.150 mm 1.000 kg	Inclined deposit Centering angle	Ø 150 mm	4 swivel castors

Other models / dimensions on request.